

## Branch Saddles Small

# TEGA IPS/CTS/DIPS SERIES SDR11

Molded Electrofusion Small Branch Saddles

**Water - 240 PSI** at 73 Deg F Sustainable Maximum Operating Pressure

**Gas - 150 PSI** at 73 Deg F Sustainable Maximum Operating Pressure

Suitable for Water, Fluids & Slurry's

Engineered for PE3408, PE4710 & PE100 HDPE Pipe Systems

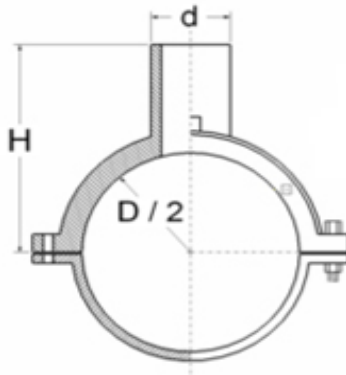
Manufactured in accordance with ASTM F-714, ASTM F-1055, ASTM D-2513

ASTM D-3035, ASTM D-3261, ASTM D-3350, AWWA C-901, AWWA C-906

DIN16963, EN1555, EN12201, ISO-9001/2000

Also Suitable For Use On IPS/DIPS SDR13.5, SDR15.5, SDR17 Series HDPE Pipe

**Also available with Brass and SS threaded outlet connections in Male & Female**



### IPS x CTS Branch Saddle

Nom Main Size (D/2)	Main Pipe	Outlet Nom Size (d)	Outlet Pipe	H (inches)	Unit Weight in lbs	Saddle Style	Item Code
1 1/4"	IPS	1/2"	CTS	TBA	TBA	TBA	TBA
1 1/4"	IPS	3/4"	CTS	3.94	0.4	C	30.BS1.13.11.4222
1 1/4"	IPS	1"	CTS	3.74	0.42	C	30.BS1.13.11.4228
1 1/4"	IPS	1 1/4"	CTS	3.54	0.44	C	30.BS1.11.11.4234
1 1/2"	IPS	1/2"	CTS	TBA	TBA	TBA	TBA
1 1/2"	IPS	3/4"	CTS	TBA	TBA	TBA	30.BS1.13.11.4822
1 1/2"	IPS	1"	CTS	TBA	TBA	TBA	30.BS1.13.11.4828
1 1/2"	IPS	1 1/4"	CTS	TBA	TBA	TBA	30.BS1.13.11.4834

2"	IPS	1/2"	CTS	TBA	TBA	TBA	TBA
2"	IPS	3/4"	CTS	4.41	0.77	A	30.BS1.13.11.6022
2"	IPS	1"	CTS	4.21	0.79	A	30.BS1.13.11.6028
2"	IPS	1 1/4"	CTS	3.82	0.86	A	30.BS1.13.11.6034
3"	IPS	1/2"	CTS	TBA	TBA	A	TBA
3"	IPS	3/4"	CTS	4.92	1.46	A	30.BS1.13.11.8822
3"	IPS	1"	CTS	4.72	1.5	A	30.BS1.13.11.8828
3"	IPS	1 1/4"	CTS	4.33	1.52	A	30.BS1.13.11.8834

**IPS x CTS Branch Saddle**

Nom Main Size (D/2)	Main Pipe	Outlet Nom Size (d)	Outlet Pipe	H (inches)	Unit Weight in lbs	Saddle Style	Item Code
4"	IPS	1/2"	CTS	TBA	TBA	A	TBA
4"	IPS	3/4"	CTS	5.31	1.61	A	30.BS1.13.11.1122
4"	IPS	1"	CTS	5.12	1.63	A	30.BS1.13.11.1128
4"	IPS	1 1/4"	CTS	4.72	1.65	A	30.BS1.13.11.1134
6"	IPS	1/2"	CTS	TBA	TBA	TBA	TBA
6"	IPS	3/4"	CTS	6.3	2.12	A	30.BS1.13.11.1622
6"	IPS	1"	CTS	6.1	2.07	A	30.BS1.13.11.1628
6"	IPS	1 1/4"	CTS	5.71	2.09	A	30.BS1.13.11.1634
7"	IPS	1/2"	CTS	TBA	TBA	TBA	TBA
7"	IPS	3/4"	CTS	6.69	2.05	A	30.BS1.13.11.1822
7"	IPS	1"	CTS	6.5	2.09	A	30.BS1.13.11.1828
7"	IPS	1 1/4"	CTS	6.1	2.12	A	30.BS1.13.11.1834
8"	IPS	1/2"	CTS	TBA	TBA	TBA	TBA
8"	IPS	3/4"	CTS	7.6	1.98	A	30.BS1.13.11.2122
8"	IPS	1"	CTS	7.4	2.01	A	30.BS1.13.11.2128
8"	IPS	1 1/4"	CTS	7.01	2.03	A	30.BS1.13.11.2134
10"	IPS	1/2"	CTS	TBA	TBA	TBA	TBA
10"	IPS	3/4"	CTS	8.66	1.46	B	30.BS1.13.11.2722
10"	IPS	1"	CTS	8.46	1.46	B	30.BS1.13.11.2728
10"	IPS	1 1/4"	CTS	8.07	1.48	B	30.BS1.13.11.2734
12"	IPS	1/2"	CTS	TBA	TBA	TBA	TBA
12"	IPS	3/4"	CTS	9.37	1.48	B	30.BS1.13.11.3222
12"	IPS	1"	CTS	9.17	1.5	B	30.BS1.13.11.3228
12"	IPS	1 1/4"	CTS	8.78	1.52	B	30.BS1.13.11.3234
14"	IPS	1/2"	CTS	TBA	TBA	TBA	TBA
14"	IPS	3/4"	CTS	10.16	1.68	B	30.BS1.13.11.3522
14"	IPS	1"	CTS	9.96	1.7	B	30.BS1.13.11.3528
14"	IPS	1 1/4"	CTS	9.57	1.72	B	30.BS1.13.11.3534
16"	IPS	1/2"	CTS	TBA	TBA	TBA	TBA
16"	IPS	3/4"	CTS	11.02	0.95	B	30.BS1.13.11.4022
16"	IPS	1"	CTS	10.83	0.97	B	30.BS1.13.11.4028
16"	IPS	1 1/4"	CTS	10.43	0.99	B	30.BS1.13.11.4034
18"	IPS	1/2"	CTS	TBA	TBA	TBA	TBA
18"	IPS	3/4"	CTS	12.01	0.95	B	30.BS1.13.11.4522
18"	IPS	1"	CTS	11.81	0.97	B	30.BS1.13.11.4528
18"	IPS	1 1/4"	CTS	11.42	0.99	B	30.BS1.13.11.4534

**IPS x IPS Branch Saddle**

Nom Main Size (D/2)	Main Pipe	Outlet Nom Size (d)	Outlet Pipe	H (inches)	Unit Weight in lbs	Saddle Style	ItemCode
1 1/4"	IPS	1/2"	IPS	3.94	0.4	C	30.BS1.11.11.4221

1 1/4"	IPS	3/4"	IPS	3.74	0.42	C	30.BS1.11.11.4226
1 1/4"	IPS	1"	IPS	3.54	0.44	C	30.BS1.11.11.4233
1 1/4"	IPS	1 1/4"	IPS	TBA	TBA	TBA	TBA
1 1/2"	IPS	1/2"	IPS	TBA	TBA	TBA	30.BS1.11.11.4821
1 1/2"	IPS	3/4"	IPS	TBA	TBA	TBA	30.BS1.11.11.4826
1 1/2"	IPS	1"	IPS	TBA	TBA	TBA	30.BS1.11.11.4833
1 1/2"	IPS	1 1/4"	IPS	TBA	TBA	TBA	30.BS1.11.11.4842
1 1/2"	IPS	1 1/2"	IPS	TBA	TBA	TBA	TBA
2"	IPS	1/2"	IPS	4.41	0.77	A	30.BS1.11.11.6021
2"	IPS	3/4"	IPS	4.21	0.79	A	30.BS1.11.11.6026
2"	IPS	1"	IPS	3.82	0.86	A	30.BS1.11.11.6033
2"	IPS	1 1/4"	IPS	3.62	0.88	A	30.BS1.11.11.6042
2"	IPS	1 1/2"	IPS	3.62	1.65	C	30.BS1.11.11.6048
2"	IPS	2"	IPS	3.62	1.76	C	30.BS1.11.11.6060
3"	IPS	1/2"	IPS	4.92	1.46	A	30.BS1.11.11.8821
3"	IPS	3/4"	IPS	4.72	1.5	A	30.BS1.11.11.8826
3"	IPS	1"	IPS	4.33	1.52	A	30.BS1.11.11.8833
3"	IPS	1 1/4"	IPS	4.13	1.54	A	30.BS1.11.11.8842
3"	IPS	1 1/2"	IPS	4.13	1.57	A	30.BS1.11.11.8848
3"	IPS	2"	IPS	4.13	1.59	A	30.BS1.11.11.8860
4"	IPS	1/2"	IPS	5.31	1.61	A	30.BS1.11.11.1121
4"	IPS	3/4"	IPS	5.12	1.63	A	30.BS1.11.11.1126
4"	IPS	1"	IPS	4.72	1.65	A	30.BS1.11.11.1133
4"	IPS	1 1/4"	IPS	4.53	1.68	A	30.BS1.11.11.1142
4"	IPS	1 1/2"	IPS	4.53	1.7	A	30.BS1.11.11.1148
4"	IPS	2"	IPS	4.53	1.72	A	30.BS1.11.11.1160
6"	IPS	1/2"	IPS	6.3	2.05	A	30.BS1.11.11.1621
6"	IPS	3/4"	IPS	6.1	2.07	A	30.BS1.11.11.1626
6"	IPS	1"	IPS	5.71	2.09	A	30.BS1.11.11.1633
6"	IPS	1 1/4"	IPS	5.51	2.12	A	30.BS1.11.11.1642
6"	IPS	1 1/2"	IPS	5.51	2.18	A	30.BS1.11.11.1648
6"	IPS	2"	IPS	5.51	2.2	A	30.BS1.11.11.1660
7"	IPS	1/2"	IPS	6.69	2.05	A	30.BS1.11.11.1821
7"	IPS	3/4"	IPS	6.5	2.09	A	30.BS1.11.11.1826
7"	IPS	1"	IPS	6.1	2.12	A	30.BS1.11.11.1833
7"	IPS	1 1/4"	IPS	5.91	2.14	A	30.BS1.11.11.1842
7"	IPS	1 1/2"	IPS	5.91	2.2	A	30.BS1.11.11.1848
7"	IPS	2"	IPS	5.91	2.23	A	30.BS1.11.11.1860

**IPS x IPS Branch Saddle**

Nom Main Size (D/2)	Main Pipe	Outlet Nom Size (d)	Outlet Pipe	H (inches)	Unit Weight in lbs	Saddle Style	Item Code
8"	IPS	1/2"	IPS	7.6	1.98	A	30.BS1.11.11.2121
8"	IPS	3/4"	IPS	7.4	2.01	A	30.BS1.11.11.2126
8"	IPS	1"	IPS	7.01	2.03	A	30.BS1.11.11.2133
8"	IPS	1 1/4"	IPS	6.81	2.05	A	30.BS1.11.11.2142
8"	IPS	1 1/2"	IPS	6.81	2.07	A	30.BS1.11.11.2148
8"	IPS	2"	IPS	6.81	2.09	A	30.BS1.11.11.2160
10"	IPS	1/2"	IPS	8.66	1.46	B	30.BS1.11.11.2721
10"	IPS	3/4"	IPS	8.46	1.46	B	30.BS1.11.11.2726
10"	IPS	1"	IPS	8.07	1.48	B	30.BS1.11.11.2733
10"	IPS	1 1/4"	IPS	7.87	1.5	B	30.BS1.11.11.2742
10"	IPS	1 1/2"	IPS	7.87	1.52	B	30.BS1.11.11.2748

10"	IPS	2"	IPS	7.87	1.54	B	30.BS1.11.11.2760
12"	IPS	1/2"	IPS	9.37	1.48	B	30.BS1.11.11.3221
12"	IPS	3/4"	IPS	9.17	1.5	B	30.BS1.11.11.3226
12"	IPS	1"	IPS	8.78	1.52	B	30.BS1.11.11.3233
12"	IPS	1 1/4"	IPS	8.58	1.54	B	30.BS1.11.11.3242
12"	IPS	1 1/2"	IPS	8.58	1.54	B	30.BS1.11.11.3248
12"	IPS	2"	IPS	8.58	1.54	B	30.BS1.11.11.3260
14"	IPS	1/2"	IPS	10.16	1.68	B	30.BS1.11.11.3521
14"	IPS	3/4"	IPS	9.96	1.7	B	30.BS1.11.11.3526
14"	IPS	1"	IPS	9.57	1.72	B	30.BS1.11.11.3533
14"	IPS	1 1/4"	IPS	9.37	1.68	B	30.BS1.11.11.3542
14"	IPS	1 1/2"	IPS	9.37	1.7	B	30.BS1.11.11.3548
14"	IPS	2"	IPS	9.37	1.72	B	30.BS1.11.11.3560
16"	IPS	1/2"	IPS	11.02	0.95	B	30.BS1.11.11.4021
16"	IPS	3/4"	IPS	10.83	0.97	B	30.BS1.11.11.4026
16"	IPS	1"	IPS	10.43	0.99	B	30.BS1.11.11.4033
16"	IPS	1 1/4"	IPS	10.24	1.01	B	30.BS1.11.11.4042
16"	IPS	1 1/2"	IPS	10.24	1.15	B	30.BS1.11.11.4048
16"	IPS	2"	IPS	10.24	1.15	B	30.BS1.11.11.4060
18"	IPS	1/2"	IPS	12.01	0.95	B	30.BS1.11.11.4521
18"	IPS	3/4"	IPS	11.81	0.97	B	30.BS1.11.11.4526
18"	IPS	1"	IPS	11.42	0.99	B	30.BS1.11.11.4533
18"	IPS	1 1/4"	IPS	11.22	1.01	B	30.BS1.11.11.4542
18"	IPS	1 1/2"	IPS	11.22	1.15	B	30.BS1.11.11.4548
18"	IPS	2"	IPS	11.22	1.15	B	30.BS1.11.11.4560

### DIPS x CTS Branch Saddle

Nom Main Size (D/2)	Main Pipe	Outlet Nom Size (d)	Outlet Pipe	H (inches)	Unit Weight in lbs	Saddle Style	Item Code
3"	DIPS	1/2"	CTS	TBA	TBA	TBA	TBA
3"	DIPS	3/4"	CTS	5.31	1.61	A	30.BS1.13.11.1022
3"	DIPS	1"	CTS	5.12	1.65	A	30.BS1.13.11.1028
3"	DIPS	1 1/4"	CTS	4.72	1.65	A	30.BS1.13.11.1034
4"	DIPS	1/2"	CTS	TBA	TBA	TBA	TBA
4"	DIPS	3/4"	CTS	5.63	1.65	A	30.BS1.13.11.1222
4"	DIPS	1"	CTS	5.43	1.65	A	30.BS1.13.11.1228
4"	DIPS	1 1/4"	CTS	5.04	1.68	A	30.BS1.13.11.1234
6"	DIPS	1/2"	CTS	TBA	TBA	TBA	TBA
6"	DIPS	3/4"	CTS	6.69	2.05	A	30.BS1.13.11.1722
6"	DIPS	1"	CTS	6.5	2.09	A	30.BS1.13.11.1728
6"	DIPS	1 1/4"	CTS	6.1	2.12	A	30.BS1.13.11.1734
8"	DIPS	1/2"	CTS	TBA	TBA	TBA	TBA
8"	DIPS	3/4"	CTS	7.6	1.98	A	30.BS1.13.11.2222
8"	DIPS	1"	CTS	7.4	2.01	A	30.BS1.13.11.2228
8"	DIPS	1 1/4"	CTS	7.01	2.03	A	30.BS1.13.11.2234
10"	DIPS	1/2"	CTS	TBA	TBA	TBA	TBA
10"	DIPS	3/4"	CTS	8.66	1.46	B	30.BS1.13.11.2822
10"	DIPS	1"	CTS	8.46	1.46	B	30.BS1.13.11.2828
10"	DIPS	1 1/4"	CTS	8.07	1.48	B	30.BS1.13.11.2834
12"	DIPS	1/2"	CTS	TBA	TBA	TBA	TBA
12"	DIPS	3/4"	CTS	TBA	TBA	TBA	TBA
12"	DIPS	1"	CTS	TBA	TBA	TBA	TBA
12"	DIPS	1 1/4"	CTS	TBA	TBA	TBA	TBA

14"	DIPS	1/2"	CTS	TBA	TBA	TBA	TBA
14"	DIPS	3/4"	CTS	TBA	TBA	TBA	TBA
14"	DIPS	1"	CTS	TBA	TBA	TBA	TBA
14"	DIPS	1 1/4"	CTS	TBA	TBA	TBA	TBA
16"	DIPS	1/2"	CTS	TBA	TBA	TBA	TBA
16"	DIPS	3/4"	CTS	12.01	0.95	B	30.BS1.13.11.4422
16"	DIPS	1"	CTS	11.81	0.97	B	30.BS1.13.11.4428
16"	DIPS	1 1/4"	CTS	11.42	0.99	B	30.BS1.13.11.4434

**DIPS x IPS Branch Saddle**

Nom Main Size (D/2)	Main Pipe	Outlet Nom Size (d)	Outlet Pipe	H (inches)	Unit Weight in lbs	Saddle Style	Item Code
3"	DIPS	1/2"	IPS	5.31	1.61	A	30.BS1.11.11.1021
3"	DIPS	3/4"	IPS	5.12	1.63	A	30.BS1.11.11.1026
3"	DIPS	1"	IPS	4.72	1.65	A	30.BS1.11.11.1033
3"	DIPS	1 1/4"	IPS	4.53	1.68	A	30.BS1.11.11.1042
3"	DIPS	1 1/2"	IPS	4.53	1.7	A	30.BS1.11.11.1048
3"	DIPS	2"	IPS	4.53	1.72	A	30.BS1.11.11.1060
4"	DIPS	1/2"	IPS	5.63	1.65	A	30.BS1.11.11.1221
4"	DIPS	3/4"	IPS	5.43	1.65	A	30.BS1.11.11.1226
4"	DIPS	1"	IPS	5.04	1.68	A	30.BS1.11.11.1233
4"	DIPS	1 1/4"	IPS	4.84	1.72	A	30.BS1.11.11.1242
4"	DIPS	1 1/2"	IPS	4.84	1.74	A	30.BS1.11.11.1248
4"	DIPS	2"	IPS	4.84	1.76	A	30.BS1.11.11.1260
6"	DIPS	1/2"	IPS	6.69	2.05	A	30.BS1.11.11.1721
6"	DIPS	3/4"	IPS	6.5	2.09	A	30.BS1.11.11.1726
6"	DIPS	1"	IPS	6.1	2.12	A	30.BS1.11.11.1733
6"	DIPS	1 1/4"	IPS	5.91	2.14	A	30.BS1.11.11.1742
6"	DIPS	1 1/2"	IPS	5.91	2.2	A	30.BS1.11.11.1748
6"	DIPS	2"	IPS	5.91	2.23	A	30.BS1.11.11.1760
8"	DIPS	1/2"	IPS	7.6	1.98	A	30.BS1.11.11.2221
8"	DIPS	3/4"	IPS	7.4	2.01	A	30.BS1.11.11.2226
8"	DIPS	1"	IPS	7.01	2.03	A	30.BS1.11.11.2233
8"	DIPS	1 1/4"	IPS	6.81	2.05	A	30.BS1.11.11.2242
8"	DIPS	1 1/2"	IPS	6.81	2.07	A	30.BS1.11.11.2248
8"	DIPS	2"	IPS	6.81	2.09	A	30.BS1.11.11.2260
10"	DIPS	1/2"	IPS	8.66	1.46	B	30.BS1.11.11.2821
10"	DIPS	3/4"	IPS	8.46	1.46	B	30.BS1.11.11.2826
10"	DIPS	1"	IPS	8.07	1.48	B	30.BS1.11.11.2833
10"	DIPS	1 1/4"	IPS	7.87	1.5	B	30.BS1.11.11.2842
10"	DIPS	1 1/2"	IPS	7.87	1.52	B	30.BS1.11.11.2848
10"	DIPS	2"	IPS	7.87	1.46	B	30.BS1.11.11.2860
12"	DIPS	1/2"	IPS	TBA	TBA	TBA	TBA
12"	DIPS	3/4"	IPS	TBA	TBA	TBA	TBA
12"	DIPS	1"	IPS	TBA	TBA	TBA	TBA
12"	DIPS	1 1/4"	IPS	TBA	TBA	TBA	TBA
12"	DIPS	1 1/2"	IPS	TBA	TBA	TBA	TBA
12"	DIPS	2"	IPS	TBA	TBA	TBA	TBA

**DIPS x IPS Branch Saddle**

Nom Main Size (D/2)	Main Pipe	Outlet Nom Size (d)	Outlet Pipe	H (inches)	Unit Weight in lbs	Saddle Style	Item Code
14"	DIPS	1/2"	IPS	TBA	TBA	TBA	TBA

14"	DIPS	3/4"	IPS	TBA	TBA	TBA	TBA
14"	DIPS	1"	IPS	TBA	TBA	TBA	TBA
14"	DIPS	1 1/4"	IPS	TBA	TBA	TBA	TBA
14"	DIPS	1 1/2"	IPS	TBA	TBA	TBA	TBA
14"	DIPS	2"	IPS	TBA	TBA	TBA	TBA
16"	DIPS	1/2"	IPS	12.01	0.95	B	30.BS1.11.11.4421
16"	DIPS	3/4"	IPS	11.81	0.97	B	30.BS1.11.11.4426
16"	DIPS	1"	IPS	11.42	0.99	B	30.BS1.11.11.4433
16"	DIPS	1 1/4"	IPS	11.22	1.01	B	30.BS1.11.11.4442
16"	DIPS	1 1/2"	IPS	11.22	1.15	B	30.BS1.11.11.4448
16"	DIPS	2"	IPS	11.22	1.15	B	30.BS1.11.11.4460

**STRONGBRIDGE INTERNATIONAL INC.**

10920 Baymeadows Road, Unit 27-302  
 Jacksonville, FL 32256  
 Phone: (904) 607-6384 Fax:(904) 565-2776  
[www.strongbridge.us](http://www.strongbridge.us)

**STRONGBRIDGE INTERNATIONAL (CANADA) INC.**

200 North Service Road West, Unit 1 Suite 381  
 Oakville, Ontario L6M 2Y1  
 Phone (416) 795-8962  
[www.strongbridgecanada.com](http://www.strongbridgecanada.com)

TEGA ELECTROFUSION FITTINGS MAY ONLY BE INSTALLED BY TECHICIANS CERTIFIED BY STRONGBRIDGE INTERNATIONAL INC. OR ITS DESIGNATED AND APPROVED AGENTS. CONTACT STRONGBRIDGE INTERNATIONAL FOR CURRENT CERTIFICATION DETAILS AND REQUIREMENTS.

Copyright 2009 Strongbridge International Inc. All rights reserved. Information subject to change without notice. E. & O.E.  
 Subject to Strongbridge International Inc. Limited Warranty, available at [www.strongbridge.us](http://www.strongbridge.us)