

## Valve Tapping Tees

# TEGA IPS/CTS/DIPS SERIES SDR11

Molded Electrofusion Valve Tapping Tee

**Water - 240 PSI** at 73 Deg F Sustainable Maximum Operating Pressure

**Gas - 150 PSI** at 73 Deg F Sustainable Maximum Operating Pressure

Suitable for Water, Fluids & Slurry's

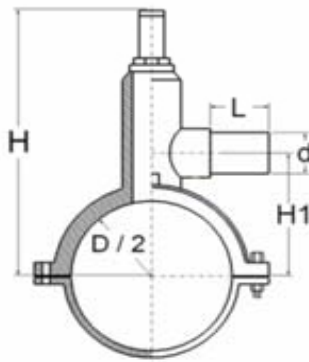
Engineered for PE3408, PE4710 & PE100 HDPE Pipe Systems

Manufactured in accordance with ASTM F-714, ASTM F-1055, ASTM D-2513

ASTM D-3035, ASTM D-3261, ASTM D-3350, AWWA C-901, AWWA C-906

DIN16963, EN1555, EN12201, ISO-9001/2000

**Also suitable for use on IPS SDR13.5, SDR15.5, SDR17 Series HDPE pipe**



**IPS x CTS Valve Tapping Tee**

Main										
Size (D/2)	Main Pipe	Outlet Size (d)	Outlet Pipe	H (inches)	H1 (inches)	L (inches)	Unit Weight in lbs	Qty Ctn	Style	Item Code
2"	IPS	1/2"	CTS	TBA	TBA	TBA	TBA	TBA	TBA	TBA
2"	IPS	3/4"	CTS	11.5	4.41	1.97	1.86	15	A	30.VS1.13.11.6022
2"	IPS	1"	CTS	11.5	4.41	1.97	1.87	15	A	30.VS1.13.11.6028
2"	IPS	1 1/4"	CTS	11.5	4.41	2.95	1.91	15	A	30.VS1.13.11.6034
3"	IPS	1/2"	CTS	TBA	TBA	TBA	TBA	TBA	TBA	TBA
3"	IPS	3/4"	CTS	11.81	4.53	1.57	3.79	10	A	30.VS1.13.11.8822
3"	IPS	1"	CTS	11.81	4.53	1.97	3.81	10	A	30.VS1.13.11.8828
3"	IPS	1 1/4"	CTS	11.81	4.53	2.95	3.84	10	A	30.VS1.13.11.8834
4"	IPS	1/2"	CTS	TBA	TBA	TBA	TBA	TBA	TBA	TBA
4"	IPS	3/4"	CTS	12.48	5.04	1.57	3.9	10	A	30.VS1.13.11.1122
4"	IPS	1"	CTS	12.48	5.04	2.24	3.92	10	A	30.VS1.13.11.1128
4"	IPS	1 1/4"	CTS	10.35	3.35	2.8	3.95	10	A	30.VS1.13.11.1134

**IPS x CTS Valve Tapping Tee**

Nom										
Main										
Size (D/2)	Main Pipe	Outlet Nom Size (d)	Outlet Pipe	H (inches)	H1 (inches)	L (inches)	Unit Weight in lbs	Qty Ctn	Style	Item Code
6"	IPS	1/2"	CTS	TBA	TBA	TBA	TBA	TBA	TBA	TBA
6"	IPS	3/4"	CTS	11.1	4.13	1.57	4.39	10	A	30.VS1.13.11.1622
6"	IPS	1"	CTS	11.1	4.13	1.97	4.41	10	A	30.VS1.13.11.1628
6"	IPS	1 1/4"	CTS	11.1	4.13	2.64	4.43	10	A	30.VS1.13.11.1634
7"	IPS	1/2"	CTS	TBA	TBA	TBA	TBA	TBA	TBA	TBA
7"	IPS	3/4"	CTS	13.7	6.42	1.57	4.39	10	A	30.VS1.13.11.1822
7"	IPS	1"	CTS	13.7	6.42	1.97	4.41	10	A	30.VS1.13.11.1828
7"	IPS	1 1/4"	CTS	13.7	6.42	2.91	4.43	10	A	30.VS1.13.11.1834
8"	IPS	1/2"	CTS	TBA	TBA	TBA	TBA	TBA	TBA	TBA
8"	IPS	3/4"	CTS	11.02	3.74	1.57	4.24	10	A	30.VS1.13.11.2122
8"	IPS	1"	CTS	11.02	3.74	1.97	4.25	10	A	30.VS1.13.11.2128
8"	IPS	1 1/4"	CTS	11.02	3.74	2.95	4.28	10	A	30.VS1.13.11.2134
10"	IPS	1/2"	CTS	TBA	TBA	TBA	TBA	TBA	TBA	TBA
10"	IPS	3/4"	CTS	11.02	3.74	1.57	5.47	8	B	30.VS1.13.11.2722
10"	IPS	1"	CTS	11.02	3.74	1.97	5.49	8	B	30.VS1.13.11.2728
10"	IPS	1 1/4"	CTS	11.02	3.74	2.95	5.51	8	B	30.VS1.13.11.2734

**IPS x IPS Valve Tapping Tee**

Nom										
Main										
Size (D/2)	Main Pipe	Outlet Nom Size (d)	Outlet Pipe	H (inches)	H1 (inches)	L (inches)	Unit Weight in lbs	Qty Ctn	Style	Item Code
2"	IPS	1/2"	IPS	11.5	4.41	1.97	1.86	15	A	30.VS1.11.11.6021
2"	IPS	3/4"	IPS	11.5	4.41	1.97	1.87	15	A	30.VS1.11.11.6026
2"	IPS	1"	IPS	11.5	4.41	2.95	1.91	15	A	30.VS1.11.11.6033
2"	IPS	1 1/4"	IPS	11.5	4.41	2.95	1.93	15	A	30.VS1.11.11.6042
2"	IPS	1 1/2"	IPS	11.81	4.53	3.66	4.63	10	C	30.VS1.11.11.6048

2"	IPS	2"	IPS	11.81	4.53	3.66	4.74	10	C	30.VS1.11.11.6060
3"	IPS	1/2"	IPS	11.81	4.53	1.57	3.79	10	A	30.VS1.11.11.8821
3"	IPS	3/4"	IPS	11.81	4.53	1.97	3.81	10	A	30.VS1.11.11.8826
3"	IPS	1"	IPS	11.81	4.53	2.95	3.84	10	A	30.VS1.11.11.8833
3"	IPS	1 1/4"	IPS	11.81	4.53	3.23	3.86	10	A	30.VS1.11.11.8842
3"	IPS	1 1/2"	IPS	11.81	4.53	3.35	5.9	8	A	30.VS1.11.11.8848
3"	IPS	2"	IPS	11.81	4.53	3.35	5.93	8	A	30.VS1.11.11.8860
4"	IPS	1/2"	IPS	12.48	5.04	1.57	3.9	10	A	30.VS1.11.11.1121
4"	IPS	3/4"	IPS	12.48	5.04	2.24	3.92	10	A	30.VS1.11.11.1126
4"	IPS	1"	IPS	10.35	3.35	2.8	3.95	10	A	30.VS1.11.11.1133
4"	IPS	1 1/4"	IPS	10.35	3.39	2.83	3.99	10	A	30.VS1.11.11.1142
4"	IPS	1 1/2"	IPS	12.24	4.49	2.95	5.95	8	A	30.VS1.11.11.1148
4"	IPS	2"	IPS	12.24	4.49	2.95	6.01	8	A	30.VS1.11.11.1160
6"	IPS	1/2"	IPS	11.1	4.13	1.57	4.39	10	A	30.VS1.11.11.1621
6"	IPS	3/4"	IPS	11.1	4.13	1.97	4.41	10	A	30.VS1.11.11.1626
6"	IPS	1"	IPS	11.1	4.13	2.64	4.43	10	A	30.VS1.11.11.1633
6"	IPS	1 1/4"	IPS	11.1	4.06	2.64	4.45	10	A	30.VS1.11.11.1642
6"	IPS	1 1/2"	IPS	11.89	4.13	2.95	6.44	8	A	30.VS1.11.11.1648
6"	IPS	2"	IPS	11.89	4.13	2.95	6.48	8	A	30.VS1.11.11.1660

### IPS x IPS Valve Tapping Tee

Nom Main Size (D/2)	Main Pipe	Outlet Nom Size (d)	Outlet Pipe	H (inches)	H1 (inches)	L (inches)	Unit Weight in lbs	Qty Ctn	Style	Item Code
7"	IPS	1/2"	IPS	13.7	6.42	1.57	4.39	10	A	30.VS1.11.11.1821
7"	IPS	3/4"	IPS	13.7	6.42	1.97	4.41	10	A	30.VS1.11.11.1826
7"	IPS	1"	IPS	13.7	6.42	2.91	4.43	10	A	30.VS1.11.11.1833
7"	IPS	1 1/4"	IPS	13.7	6.42	2.91	4.45	10	A	30.VS1.11.11.1842
7"	IPS	1 1/2"	IPS	13.7	6.42	2.91	6.44	8	A	30.VS1.11.11.1848
7"	IPS	2"	IPS	13.7	6.42	2.91	6.48	8	A	30.VS1.11.11.1860
8"	IPS	1/2"	IPS	11.02	3.74	1.57	4.24	10	A	30.VS1.11.11.2121
8"	IPS	3/4"	IPS	11.02	3.74	1.97	4.25	10	A	30.VS1.11.11.2126
8"	IPS	1"	IPS	11.02	3.74	2.95	4.28	10	A	30.VS1.11.11.2133
8"	IPS	1 1/4"	IPS	11.02	3.74	2.95	4.29	10	A	30.VS1.11.11.2142
8"	IPS	1 1/2"	IPS	11.02	3.74	2.95	6.28	8	A	30.VS1.11.11.2148
8"	IPS	2"	IPS	11.02	3.74	2.95	6.33	8	A	30.VS1.11.11.2160
10"	IPS	1/2"	IPS	11.02	3.74	1.57	5.47	8	B	30.VS1.11.11.2721
10"	IPS	3/4"	IPS	11.02	3.74	1.97	5.49	8	B	30.VS1.11.11.2726
10"	IPS	1"	IPS	11.02	3.74	2.95	5.51	8	B	30.VS1.11.11.2733
10"	IPS	1 1/4"	IPS	11.02	3.74	2.95	5.53	8	B	30.VS1.11.11.2742
10"	IPS	1 1/2"	IPS	11.02	3.74	2.95	5.6	8	B	30.VS1.11.11.2748
10"	IPS	2"	IPS	11.02	3.74	2.95	5.62	8	B	30.VS1.11.11.2760

### DIPS x CTS Valve Tapping Tee

Nom Main Size (D/2)	Main Pipe	Outlet Nom Size (d)	Outlet Pipe	H (inches)	H1 (inches)	L (inches)	Unit Weight in lbs	Qty Ctn	Style	Item Code
3"	DIPS	1/2"	CTS	TBA	TBA	TBA	TBA	TBA	TBA	TBA
3"	DIPS	3/4"	CTS	12.48	5.04	1.57	3.9	TBA	A	30.VS1.13.11.1022
3"	DIPS	1"	CTS	12.48	5.04	2.24	3.95	TBA	A	30.VS1.13.11.1028

3"	DIPS	1 1/4"	CTS	10.35	3.35	2.8	3.95	TBA	A	30.VS1.13.11.1034
4"	DIPS	1/2"	CTS	TBA	TBA	TBA	TBA	TBA	TBA	TBA
4"	DIPS	3/4"	CTS	10.35	3.35	2.8	3.9	10	A	30.VS1.13.11.1222
4"	DIPS	1"	CTS	10.35	2.99	2.83	3.92	10	A	30.VS1.13.11.1228
4"	DIPS	1 1/4"	CTS	10.35	3.35	2.8	3.95	10	A	30.VS1.13.11.1234
6"	DIPS	1/2"	CTS	TBA	TBA	TBA	TBA	TBA	TBA	TBA
6"	DIPS	3/4"	CTS	13.7	6.42	1.57	4.39	10	A	30.VS1.13.11.1722
6"	DIPS	1"	CTS	13.7	6.42	1.97	4.41	10	A	30.VS1.13.11.1728
6"	DIPS	1 1/4"	CTS	13.7	6.42	2.91	4.43	10	A	30.VS1.13.11.1734
8"	DIPS	1/2"	CTS	TBA	TBA	TBA	TBA	TBA	TBA	TBA
8"	DIPS	3/4"	CTS	11.02	3.74	1.57	4.24	10	A	30.VS1.13.11.2222
8"	DIPS	1"	CTS	11.02	3.74	1.97	4.25	10	A	30.VS1.13.11.2228
8"	DIPS	1 1/4"	CTS	11.02	3.74	2.95	4.28	10	A	30.VS1.13.11.2234
10"	DIPS	1/2"	CTS	TBA	TBA	TBA	TBA	TBA	TBA	TBA
10"	DIPS	3/4"	CTS	11.02	3.74	1.57	5.47	8	B	30.VS1.13.11.2822
10"	DIPS	1"	CTS	11.02	3.74	1.97	5.49	8	B	30.VS1.13.11.2828
10"	DIPS	1 1/4"	CTS	11.02	3.74	2.95	5.51	8	B	30.VS1.13.11.2834

### DIPS x IPS Valve Tapping Tee

Nom Main Size (D/2)	Main Pipe	Outlet Nom Size (d)	Outlet Pipe	H (inches)	H1 (inches)	L (inches)	Unit Weight in lbs	Qty Ctn	Style	Item Code
3"	DIPS	1/2"	IPS	12.48	5.04	1.57	3.9	TBA	A	30.VS1.11.11.1021
3"	DIPS	3/4"	IPS	12.48	5.04	2.24	3.92	TBA	A	30.VS1.11.11.1026
3"	DIPS	1"	IPS	10.35	3.35	2.8	3.95	TBA	A	30.VS1.11.11.1033
3"	DIPS	1 1/4"	IPS	10.35	3.39	2.83	3.99	TBA	A	30.VS1.11.11.1042
3"	DIPS	1 1/2"	IPS	12.24	4.49	2.95	5.95	TBA	A	30.VS1.11.11.1048
3"	DIPS	2"	IPS	12.24	4.49	2.95	6.02	TBA	A	30.VS1.11.11.1060
4"	DIPS	1/2"	IPS	10.35	3.35	2.8	3.9	10	A	30.VS1.11.11.1221
4"	DIPS	3/4"	IPS	10.35	2.99	2.83	3.92	10	A	30.VS1.11.11.1226
4"	DIPS	1"	IPS	10.35	3.35	2.8	3.95	10	A	30.VS1.11.11.1233
4"	DIPS	1 1/4"	IPS	10.35	3.39	2.83	3.99	10	A	30.VS1.11.11.1242
4"	DIPS	1 1/2"	IPS	12.2	4.33	3.03	5.95	8	A	30.VS1.11.11.1248
4"	DIPS	2"	IPS	12.2	4.33	2.56	6.01	8	A	30.VS1.11.11.1260
6"	DIPS	1/2"	IPS	13.7	6.42	1.57	4.39	10	A	30.VS1.11.11.1721
6"	DIPS	3/4"	IPS	13.7	6.42	1.97	4.41	10	A	30.VS1.11.11.1726
6"	DIPS	1"	IPS	13.7	6.42	2.91	4.43	10	A	30.VS1.11.11.1733
6"	DIPS	1 1/4"	IPS	13.7	6.42	2.91	4.45	10	A	30.VS1.11.11.1742
6"	DIPS	1 1/2"	IPS	13.7	6.42	2.91	6.44	8	A	30.VS1.11.11.1748
6"	DIPS	2"	IPS	13.7	6.42	2.91	6.48	8	A	30.VS1.11.11.1760
8"	DIPS	1/2"	IPS	11.02	3.74	1.57	4.24	10	A	30.VS1.11.11.2221
8"	DIPS	3/4"	IPS	11.02	3.74	1.97	4.25	10	A	30.VS1.11.11.2226
8"	DIPS	1"	IPS	11.02	3.74	2.95	4.28	10	A	30.VS1.11.11.2233
8"	DIPS	1 1/4"	IPS	11.02	3.74	2.95	4.29	10	A	30.VS1.11.11.2242
8"	DIPS	1 1/2"	IPS	11.02	3.74	2.95	6.28	8	A	30.VS1.11.11.2248
8"	DIPS	2"	IPS	11.02	3.74	2.95	6.33	8	A	30.VS1.11.11.2260
10"	DIPS	1/2"	IPS	11.02	3.74	1.57	5.47	8	B	30.VS1.11.11.2821
10"	DIPS	3/4"	IPS	11.02	3.74	1.97	5.49	8	B	30.VS1.11.11.2826
10"	DIPS	1"	IPS	11.02	3.74	2.95	5.51	8	B	30.VS1.11.11.2833
10"	DIPS	1 1/4"	IPS	11.02	3.74	2.95	5.53	8	B	30.VS1.11.11.2842

10"	DIPS	1 1/2"	IPS	11.02	3.74	2.95	5.6	8	B	30.VS1.11.11.2848
10"	DIPS	2"	IPS	11.02	3.74	2.95	5.62	8	B	30.VS1.11.11.2860

**STRONGBRIDGE INTERNATIONAL INC.**

PO Box 58177, Jacksonville FL 32241

Phone: (904) 607-6384 Fax:(904) 565-2776

[www.strongbridge.us](http://www.strongbridge.us)

**STRONGBRIDGE INTERNATIONAL (CANADA) INC.**

200 North Service Road West, Unit 1 Suite 381

Oakville, Ontario L6M 2Y1

Phone (416) 795-8962

[www.strongbridgecanada.com](http://www.strongbridgecanada.com)

**ELECTROFUSION FITTINGS MUST BE INSTALLED BY QUALIFIED INDIVIDUALS TRAINED AND CERTIFIED IN  
ELECTROFUSION INSTALLATION PROCEDURES.**

Copyright 2009 Strongbridge International Inc. All rights reserved. Information subject to change without notice. E. & O.E.

Subject to Strongbridge International Inc. Limited Warranty, available at [www.strongbridge.us](http://www.strongbridge.us)

09/09