

TEGA IPS SERIES SDR11

Molded Electrofusion 45 Degree Equal Elbow

Water - 240 PSI at 73 Deg F Sustainable Maximum Operating Pressure

Gas - 150 PSI at 73 Deg F Sustainable Maximum Operating Pressure

Suitable for Water, Fluids & Slurry's

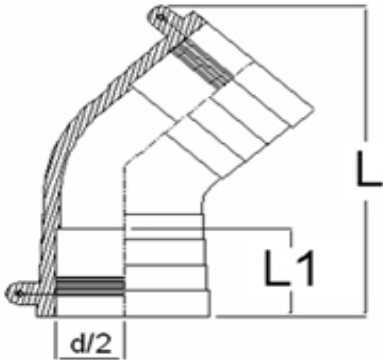
Engineered for PE3408, PE4710 & PE100 HDPE Pipe Systems

Manufactured in accordance with ASTM F-714, ASTM F-1055, ASTM D-2513

ASTM D-3035, ASTM D-3261, ASTM D-3350, AWWA C-901, AWWA C-906

DIN16963, EN1555, EN12201, ISO-9001/2000

Also Suitable for use on IPS SDR13.5, SDR15.5, SDR17 Series HDPE pipe



Nominal Pipe Size	Pipe	"d/2"	"L"	"L1"	Unit Weight	Item Code
1"	CTS	TBA	4.570"	1.610"	0.180 lbs	30.DK1.33.11.0028
1"	IPS	1.315"	4.570"	1.610"	0.180 lbs	30.DK1.11.11.0033
1 1/4"	IPS	1.660"	5.470"	1.850"	0.290 lbs	30.DK1.11.11.0042
1 1/2"	IPS	1.900"	6.540"	2.010"	0.510 lbs	30.DK1.11.11.0048
2"	IPS	2.375"	7.760"	2.280"	0.880 lbs	30.DK1.11.11.0060
3"	IPS	3.500"	9.530"	2.830"	2.070 lbs	30.DK1.11.11.0088
4"	IPS	4.500"	11.890"	3.230"	5.710 lbs	30.DK1.11.11.0114

STRONGBRIDGE INTERNATIONAL INC.

10920 Baymeadows Road, Unit 27-302
Jacksonville, FL 32256
Phone: (904) 607-6384 Fax:(904) 565-2776
www.strongbridge.us

STRONGBRIDGE INTERNATIONAL (CANADA) INC.

200 North Service Road West, Unit 1 Suite 381
Oakville, Ontario L6M 2Y1
Phone (416) 795-8962
www.strongbridgecanada.com

TEGA ELECTROFUSION FITTINGS MAY ONLY BE INSTALLED BY TECHICIANS CERTIFIED BY STRONGBRIDGE INTERNATIONAL INC. OR ITS DESIGNATED AND APPROVED AGENTS. CONTACT STRONGBRIDGE INTERNATIONAL FOR CURRENT CERTIFICATION DETAILS AND REQUIREMENTS.