

## TEGA IPS SERIES SDR9

ELECTROFUSION COUPLER

**300 PSI** at 73 Deg F Sustainable Maximum Operating Pressure

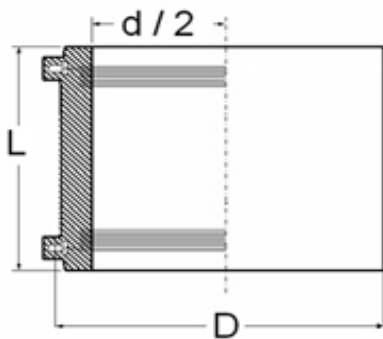
Suitable for Water, Fluids & Slurry's

Engineered for PE3408, PE4710 & PE100 HDPE Pipe Systems

Manufactured in accordance with ASTM F-714, ASTM F-1055, ASTM D-2513

ASTM D-3035, ASTM D-3261, ASTM D-3350, AWWA C-901, AWWA C-906

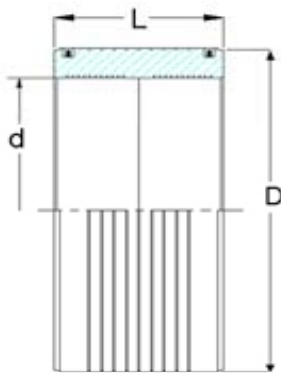
DIN16963, EN1555, EN12201, ISO-9001/2000



Style "A"



Style "A"



Style "B"



Style "B"

Nominal Pipe Size	"d & d/2"	"D"	"L"	Unit Weight	Style	Item Code
2"	2.375"	3.820"	4.650"	1.130 lbs	A	30.MA1.11.09.0060
3"	3.500"	5.590"	6.570"	3.400 lbs	A	30.MA1.11.09.0088
4"	4.500"	6.260"	6.770"	3.490 lbs	A	30.MA1.11.09.0114
5"	5.563"	8.030"	7.280"	6.650 lbs	A	30.MA1.11.09.0141
6"	6.675"	9.130"	8.350"	8.830 lbs	A	30.MA1.11.09.0169
7"	7.125"	9.760"	8.860"	10.750 lbs	A	30.MA1.11.09.0180
8"	8.625"	12.010"	9.490"	16.940 lbs	B	30.MA1.11.09.0219
10"	10.750"	14.570"	8.820"	23.200 lbs	B	30.MA1.11.09.0273

12"	12.750"	16.540"	9.130"	27.570 lbs	B	30.MA1.11.09.0323
14"	14.000"	18.500"	10.040"	40.010 lbs	B	30.MA1.11.09.0355
16"	16.000"	20.670"	11.810"	55.060 lbs	B	30.MA1.11.09.0406
18"	18.000"	23.230"	12.600"	73.930 lbs	B	30.MA1.11.09.0457
20"	20.000"	25.980"	14.370"	107.660 lbs	B	30.MA1.11.09.0508
22"	22.000"	29.130"	15.750"	156.400 lbs	B	30.MA1.11.09.0558
24"	24.000"	32.680"	16.540"	221.400 lbs	B	30.MA1.11.09.0609

**Larger Pipe Sizes Available Under Special Request**  
**Reducing Couplers In This Series Available Under Special Request**

**STRONGBRIDGE INTERNATIONAL INC.**

PO Box 58177, Jacksonville FL 32241  
Phone: (904) 607-6384 Fax:(904) 565-2776  
[www.strongbridge.us](http://www.strongbridge.us)

**STRONGBRIDGE INTERNATIONAL (CANADA) INC.**

200 North Service Road West, Unit 1 Suite 381  
Oakville, Ontario L6M 2Y1  
Phone (416) 795-8962  
[www.strongbridgecanada.com](http://www.strongbridgecanada.com)

**ELECTROFUSION FITTINGS MUST BE INSTALLED BY QUALIFIED INDIVIDUALS TRAINED AND CERTIFIED IN  
ELECTROFUSION INSTALLATION PROCEDURES.**

Copyright 2009 Strongbridge International Inc. All rights reserved. Information subject to change without notice. E. & O.E.  
Subject to Strongbridge International Inc. Limited Warranty, available at [www.strongbridge.us](http://www.strongbridge.us)

09/09