

TEGA IPS SERIES SDR7

ELECTROFUSION COUPLER

Water - 360 PSI at 73 Deg F Sustainable Maximum Operating Pressure

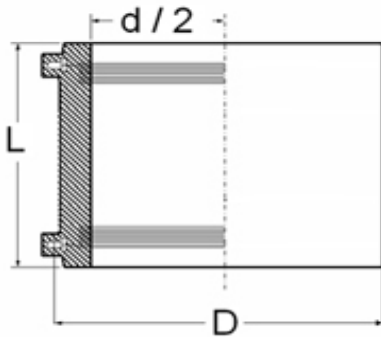
Suitable for Water, Fluids & Slurry's

Engineered for PE3408, PE4710 & PE100 HDPE Pipe Systems

Manufactured in accordance with ASTM F-714, ASTM F-1055, ASTM D-2513

ASTM D-3035, ASTM D-3261, ASTM D-3350, AWWA C-901, AWWA C-906

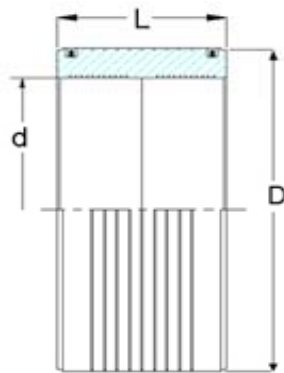
DIN16963, EN1555, EN12201, ISO-9001/2000



Style "A"



Style "A"



Style "B"



Style "B"

Nominal Pipe Size	"d & d/2"	"D"	"L"	Unit Weight	Style	Item Code
2"	2.375"	3.820"	4.650"	1.130 lbs	A	30.MA1.11.07.0060
3"	3.500"	5.590"	6.570"	3.400 lbs	A	30.MA1.11.07.0088
4"	4.500"	6.260"	6.770"	3.490 lbs	A	30.MA1.11.07.0114
5"	5.563"	8.030"	7.280"	6.650 lbs	A	30.MA1.11.07.0141
6"	6.675"	9.130"	8.350"	8.830 lbs	A	30.MA1.11.07.0169
7"	7.125"	9.760"	8.860"	10.750 lbs	A	30.MA1.11.07.0180
8"	8.625"	12.200"	8.350"	16.940 lbs	B	30.MA1.11.07.0219
10"	10.750"	15.350"	8.820"	28.860 lbs	B	30.MA1.11.07.0273
12"	12.750"	17.320"	9.130"	34.200 lbs	B	30.MA1.11.07.0323
14"	14.000"	19.290"	10.040"	48.150 lbs	B	30.MA1.11.07.0355

16"	16.000"	21.770"	11.810"	70.100 lbs	B	30.MA1.11.07.0406
18"	18.000"	24.410"	12.600"	93.230 lbs	B	30.MA1.11.07.0457
20"	20.000"	27.170"	14.370"	132.220 lbs	B	30.MA1.11.07.0508
22"	22.000"	30.710"	15.750"	196.800 lbs	B	30.MA1.11.07.0558

Larger Pipe Sizes Available Under Special Request

Also Available in SDR6 EF Couplers to Maximum 470 psi Operating Working Pressures

Reducing couplers in this Series available under special request

***350 PSI**

STRONGBRIDGE INTERNATIONAL INC.

PO Box 58177, Jacksonville FL 32241

Phone: (904) 607-6384 Fax:(904) 565-2776

www.strongbridge.us

STRONGBRIDGE INTERNATIONAL (CANADA) INC.

200 North Service Road West, Unit 1 Suite 381

Oakville, Ontario L6M 2Y1

Phone (416) 795-8962

www.strongbridgecanada.com

ELECTROFUSION FITTINGS MUST BE INSTALLED BY QUALIFIED INDIVIDUALS TRAINED AND CERTIFIED IN ELECTROFUSION INSTALLATION PROCEDURES.

Copyright 2009 Strongbridge International Inc. All rights reserved. Information subject to change without notice.
Subject to Strongbridge International Inc. Limited Warranty, available at www.strongbridge.us